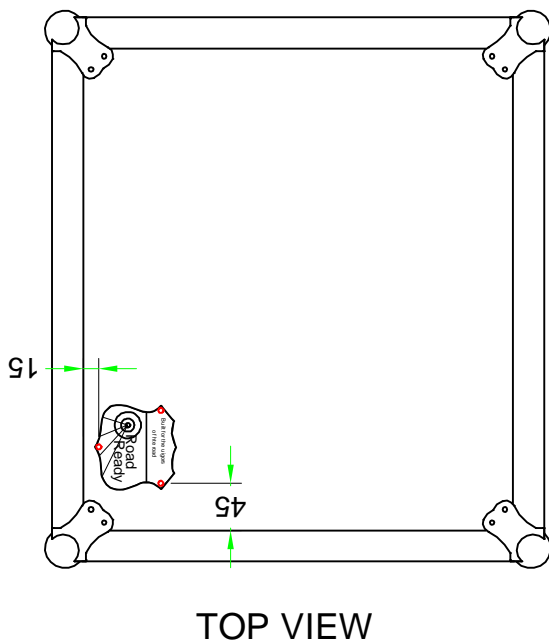
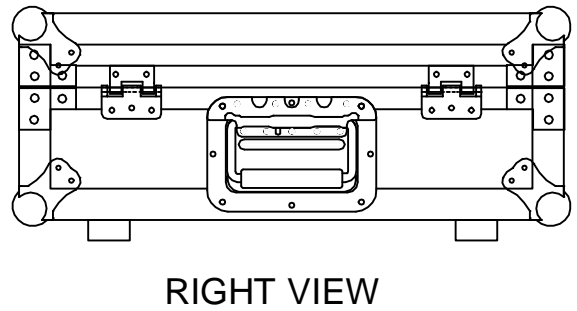
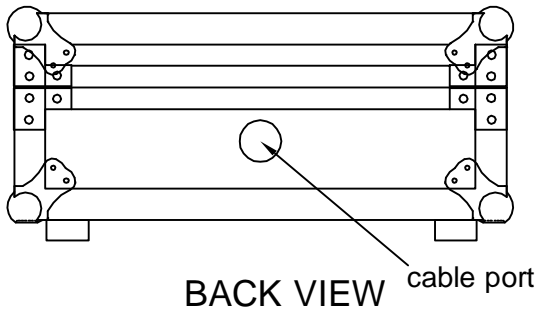
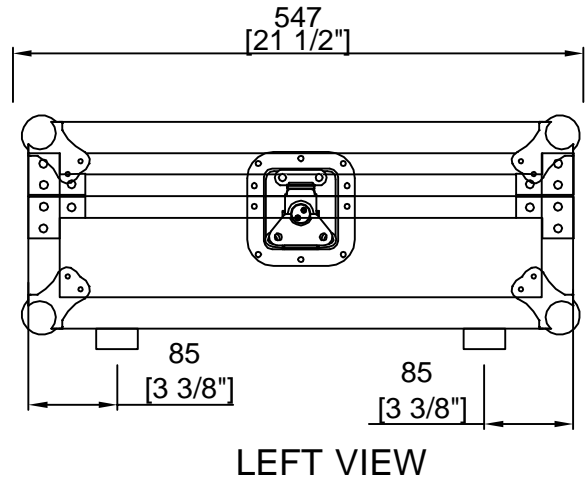
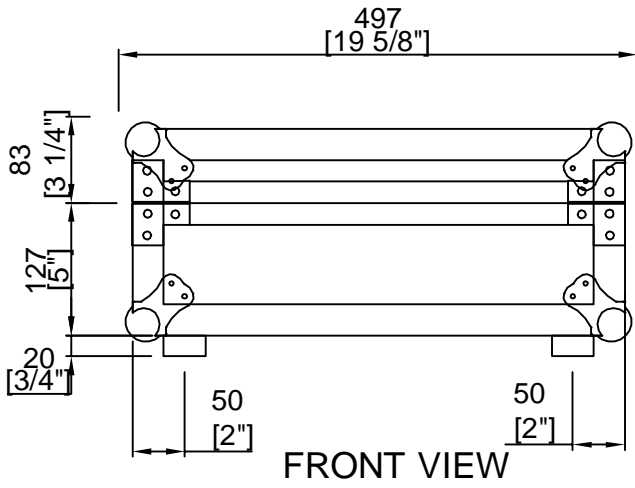



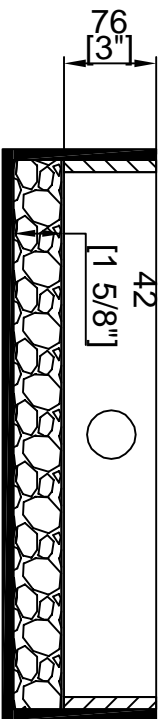
# RRDJM2000



PIONEER DJM2000 MIXER:  
16.9 in (W) × 16.1 in (D) × 4.3 in (H)

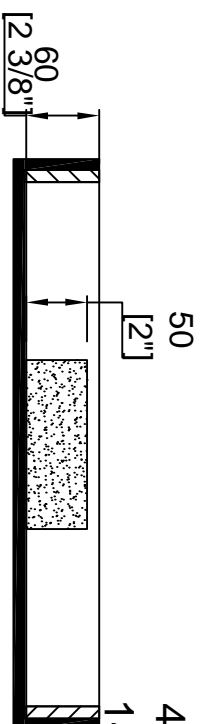
	SKU: RRDJM2000	BY: ROAD READY CASES
	UPC: NA	
APPROVAL SIGNATURE: _____		DATE: _____
DRAWING DATE: 03 / 22 / 2010	SCALE: 1:7	DRAWING NUMBER: 1/2
		REVISION: NA

# RRDJM2000



C-C VIEW

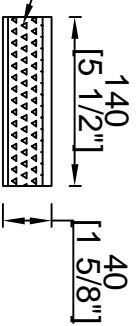
40mm EPE foam w/2mm grey carpet



A-A VIEW

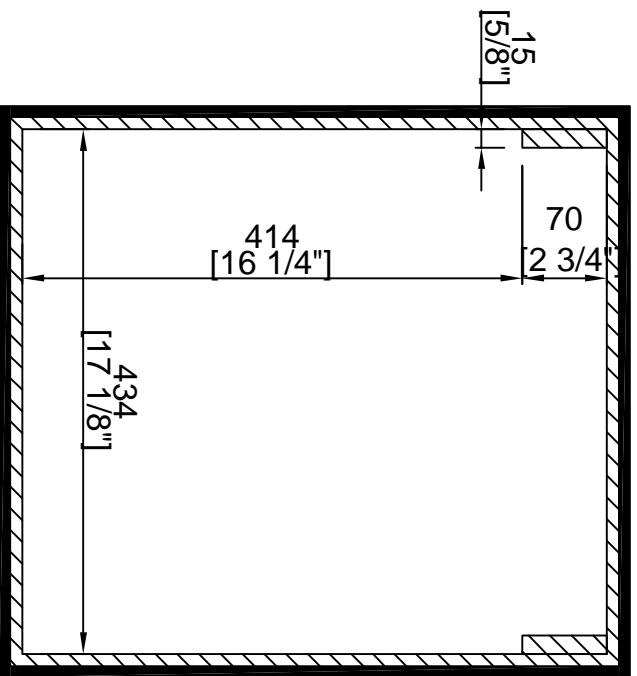
10mm EVA foam on sides

w/ velcro

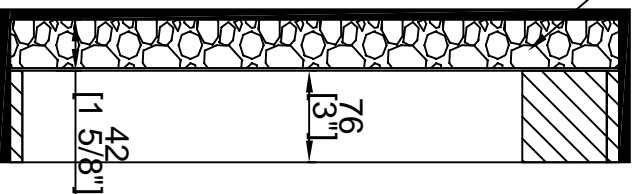


40mm soft foam:

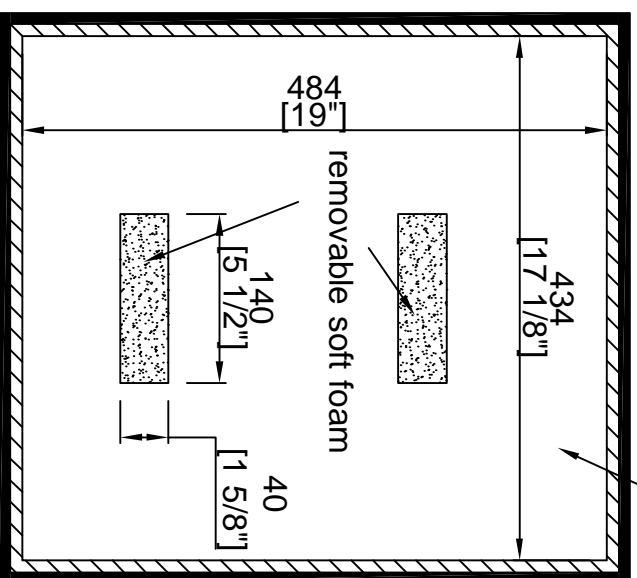
140X50 (x2pcs)



TOP VIEW OF BASE

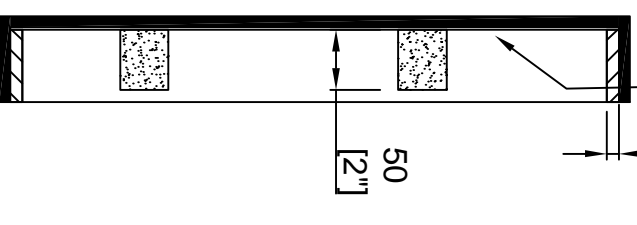


D-D VIEW



TOP VIEW OF COVER

removable soft foam

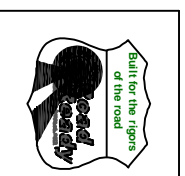


B-B VIEW

grey carpet

10

50



SKU : RRDJM2000	B'Y: ROAD READY CASES
UPC : NA	DATE :
APPROVAL SIGNATURE :	REVISION :
DRAWING DATE : 03/22 / 2010	SCALE : 1:6
DRAWING NUMBER : 2/2	REVISION : NA